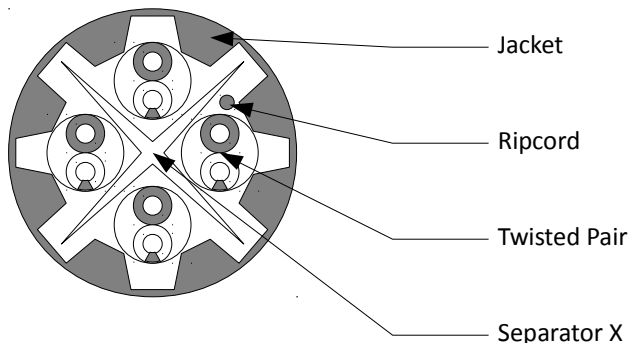


Construction Detail



Description

High-performance 500MHz cable for multi-gigabit applications

Applications	Voice, data, video distribution, security
Ethernet	10BASE-T, 100BASE-TX 1000BASE-T, 10GBASE-T
Rated Temperature (°C)	75
Product Standard Certification	UL CM
Flame Test	UL 1685 & FT4
Reference Standard	UL 444

Performance Characteristics

Electrical (20°C)

Max. Conductor DC Resistance (Ω/km)	72
Min. Insulation Resistance (Ω-km)	100M
Dielectric Strength (AC V/1 Min)	500

Mechanical

Jacket	PVC
Before Tensile Strength (kgf/mm ²)	≥1.05

Twisted Pair Insulation Colours

P1	Blue	&	White/Blue
P2	Orange	&	White/Orange
P3	Green	&	White/Green
P4	Brown	&	White/Brown

Physical Construction

Conductor	4 pairs solid copper	
Size (AWG)	23	
Strand Dia. (#)/(±0.008mm)	1/0.59	
Total Dia. (mm)	0.59	
Insulation	PE	
Average Thickness (mm)	0.24	
Insulation dia. (±0.05mm)		
	P1	1.10
	P2	1.03
	P3	1.13
	P4	1.05
Jacket	PVC	
Average Thickness (mm)	0.65	
Outer Dia. (±0.2mm)	8.5	

Jacket Marking

Legend: **[WXYZ]FT** => Length in Spool (e.g., 0100ft)
[SPACE] => Three spaces

E132276-A (UL) CM 75°C 4PR 23AWG **[SPACE]**
 CSA LL64151-A CMG 75°C FT4 **[SPACE]**
 ETL&3P VERIFIED TO ANSI/TIA-568-C.2 ISO/IEC 11801&EN
 50173 CAT.6A - - - UTP **[WXYZ]FT**