

RJ45 CAT6 SLIM KEYSTONE JACK (TOOL-LESS)

SKUS	C6-69BK	(Black)
	C6-69BL	(Blue)
	C6-69WT	(White)

FEATURES

- Category 6 UTP RJ45 Slim Keystone 16.6 x 36.5 x 22.3 mm
- Clear plastic termination cap for terminating Cat6 Cable
- Snap in for use with wall plates, surface-mount boxes, or unloaded patch panels
- 90° wire connection
- Backwards compatible with previous keystone jack standards
- Colour coded T568A and T568B wiring patterns on side of jack
- UL approved, 3P Third Party Tested, RoHS compliant, meets C6 EIA/TIA 568B Standard, cETLus certified



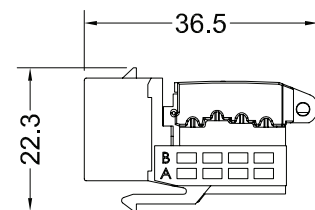
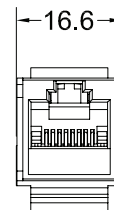
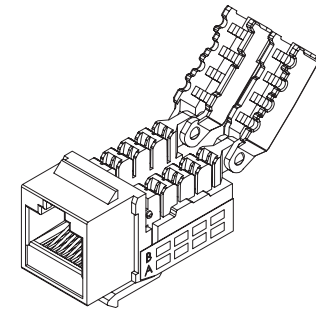
AVAILABLE COLOURS



SIZE (WxDxH) 16.6 x 36.5 x 22.3 mm

MATERIALS

BODY	Fireproof ABS UL-94V0
JACK	8P8C 50 Micro-inches gold plated
PCB	FR-4 / UL-94V0
IDC CAP	Fireproof PC + Glass Fiber UL-94V2
IDC BODY	Fireproof ABS UL-94V0
IDC PIN	Phosphor Bronze & Tinned
IDC DESCRIPTION	For 22-26 AWG For 110 punch-down Tool Tool-less (when use IDC cap directly)



SPECIFICATIONS

UL APPROVED 3P THIRD PARTY TESTED ROHS COMPLIANT	INSULATION RESISTANCE	500M ohms (min.)	
MEETS C6 EIA/TIA 568B STANDARD CETLUS CERTIFIED	CONTACT RESISTANCE	20m ohms (max.)	
IDC PUNCH DOWN CYCLE	Over 250 Cycles (min.)	CURRENT RATING	1.5 Amps
JACK INSERTION CYCLE	Over 2000 Cycles (min.)	DC RESISTANCE	0.1 ohms (max.)
OPERATION TEMPERATURE	-40 — +70 Degrees Celsius	WITHSTANDING VOLTAGE	1000 VAC RMS @ 60Hz/1min
TOLERANCE	X ± 1 .X ± 0.2 .XX ± 0.15		

© PC Cable World. All rights reserved.

PC Cable World product specifications are subject to change without notice, but are accurate at the time of printing. Please contact a sales representative for current specs. Please note that all physical specifications are nominal.

www.pccableworld.com