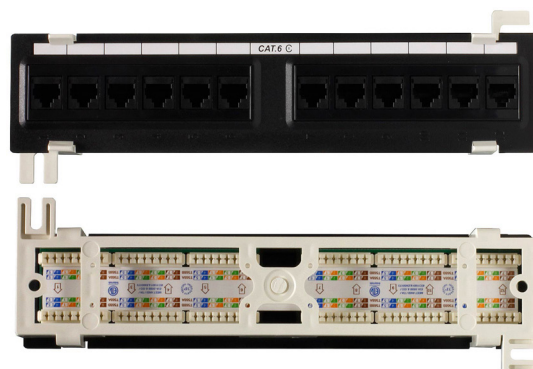


RJ45 CAT6 12-PORT WALL-MOUNT PATCH PANEL

SKUS FA-656H

FEATURES

- Wall-Mountable 12-Port Loaded RJ45 Category 6 Patch Panel, with T568A/B colour coded wiring patterns
- Use with 110 punch-down tool with keystones for terminating 22-26 AWG Cat5e cable
- Labels on the front provide space for adding identification, with an additional port numbering system on the front and rear of the patch panel
- Meets ANSI/EIA/TIA 568B AND ISO/IEC 11801 & EN50173 standards, RoHS compliant, Third Party Tested, and cETLus Intertek Listed
- Wall-mounting screws not included with patch panel

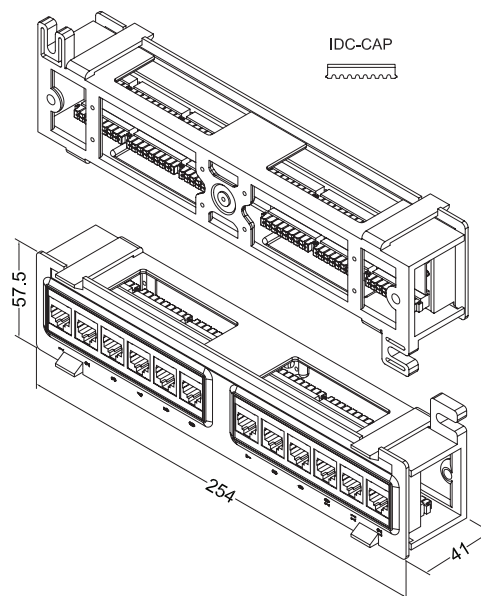


AVAILABLE COLOURS 

SIZE (WxDxH) 254 x 41 x 57.5 mm

MATERIALS

FRONT PLATE	Fireproof ABS UL-94V0
JACK	8P8C 50 Micro-inches gold plated
PCB	FR-4 / UL-94V0
IDC CAP	Fireproof ABS UL-94V0
IDC BODY	Fireproof ABS UL-94V0
IDC PIN	Bronze & Tinned
IDC DESCRIPTION	For 22-26 AWG For 110 punch-down tool



SPECIFICATIONS

UL APPROVED 3P THIRD PARTY TESTED ROHS COMPLIANT	INSULATION RESISTANCE	500M ohms (min.)	
MEETS C6 EIA/TIA 568B STANDARD CETLUS CERTIFIED	CONTACT RESISTANCE	20m ohms (max.)	
IDC PUNCH DOWN CYCLE	Over 250 Cycles (min.)	CURRENT RATING	1.5 Amps
JACK INSERTION CYCLE	Over 2000 Cycles (min.)	DC RESISTANCE	0.1 ohms (max.)
OPERATION TEMPERATURE	-40 — +70 Degrees Celsius	WITHSTANDING VOLTAGE	1000 VAC RMS @ 60Hz/1min
TOLERANCE	X ± 1 .X ± 0.2 .XX ± 0.15		

© PC Cable World. All rights reserved.

PC Cable World product specifications are subject to change without notice, but are accurate at the time of printing. Please contact a sales representative for current specs. Please note that all physical specifications are nominal.

www.pccableworld.com