

HDMI FEMALE TO MICRO HDMI MALE ADAPTER (8")

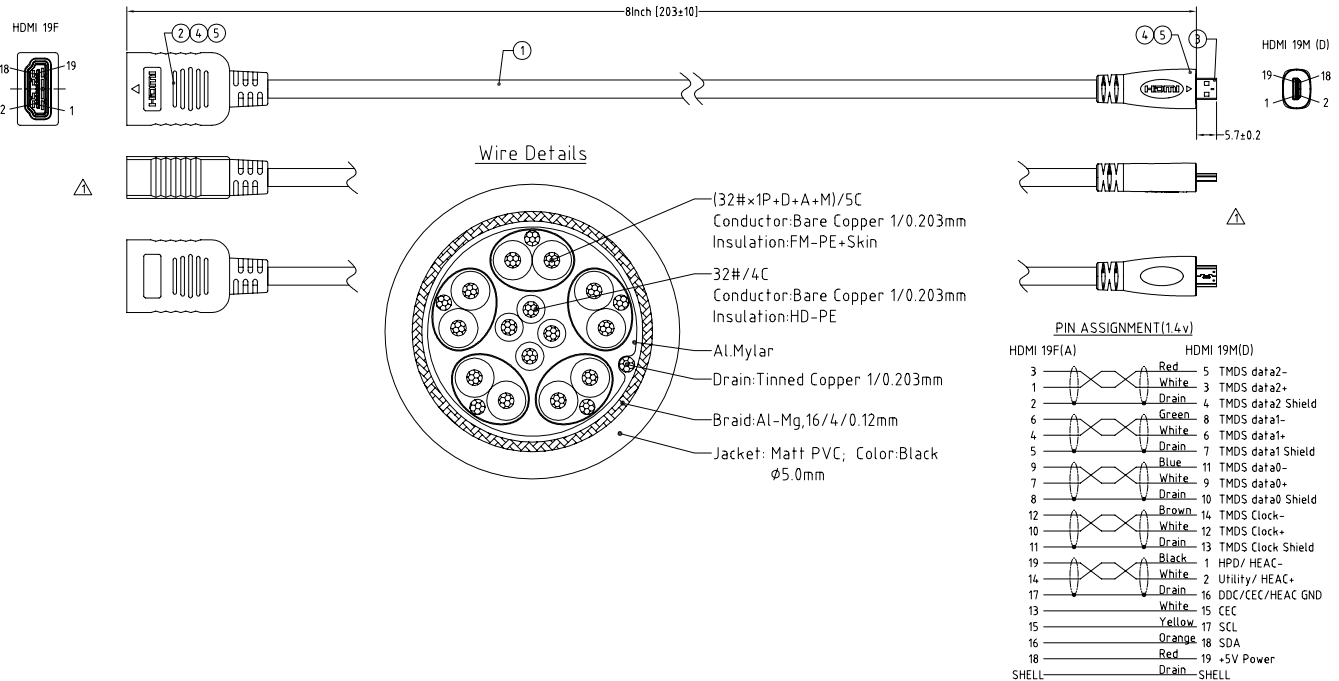
SKUS VC-675A

FEATURES

- HDMI Type A Female To HDMI Type D (Micro) Male High Speed with Ethernet Cable 8" 30 AWG
- Use as a port saver when connecting a device with a Mini-HDMI port to a television or computer monitor using a male HDMI cable
- 4K x 2K (3840x2160p at 24Hz/25Hz/30Hz and 4096x2160p at 24Hz)
- Gold-plated pure copper conductors for maximum conductivity and bandwidth
- HDMI Ethernet Channel, which allows for a 100 Mb/s Ethernet connection



AVAILABLE COLOUR



MATERIALS

(1) CABLE	UL20276 (32#(1/0.203BC)/1P+D+A+M)/5C+32# (1/0.203TC)/4C+A+E+B(16/4/0.12, Al-Mg) OD 5.0mm, Jacket: Black PVC
(2) HDMI CONN.	HDMI A/F, Pin G/F, Black Insulation, Steel-Shell(G/F Plated), Solder type
(3) HDMI CONN.	HDMI D/F, Pin G/F, Black Insulation, Shell(G/F Plated), Solder type
(4) INNER MOLD	PE, Low density
(5) OVER MOLD	PVC 45Pa, BLACK

SPECIFICATIONS

ROHS COMPLIANT | 100% TESTED (OPEN, SHORT, INTERMITTENT)

CONDUCTANCE RESISTANCE	2 ohms (max.)
INSULATION RESISTANCE	10M ohms (min.), DC 300V at 10/ms.
RESIDUAL OPERATING CURRENT	a. <1.M=0.5mA; c. 2.0~3.0M=2.0mA; e. 5.0~10M=5.0mA;
	b. 1.0~2.0M=1.0mA; d. 3.0~5.0M=3.0mA; f. 10~15M=7.0mA;

© PC Cable World. All rights reserved.

PC Cable World product specifications are subject to change without notice, but are accurate at the time of printing. Please contact a sales representative for a current specs. Please note that all physical specifications are nominal.